

# WEATHERSHIELD WS001

## Roll Down Curtain System



### Product Description



- All aluminum construction
- Extruded aluminum, self supporting housing
- Width maximum of 19'-6"
- Maximum height of 23'-0"
- Integrated retainer system
- Fabric tensioning gas technology
- Manual, electrical switch or remote operation
- Powder coated frames in white, black or bronze
- Custom frame colors available at additional cost
- Fabric solutions for every purpose:
  - Sheer and mesh fabrics for sun control
  - Blackout fabrics for light control
  - Coated fabrics for UV protection
  - Vinyl fabrics for rain and wind control
  - Vinyl fabrics with clear Isen or Strata glass for visibility
- Fabrics available in a variety of colors and patterns
- Mounting options include vertical and horizontal mounts:
  - Direct mount (see page 3)
  - Build-out mount (see page 4)
  - Side mount (see page 5)

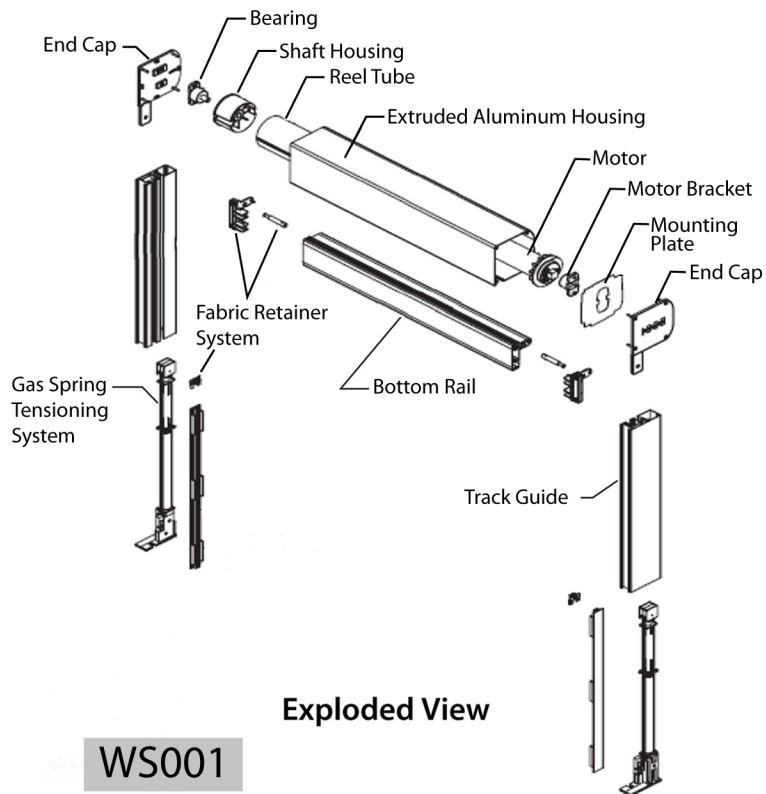


Vinyl weather curtains with clear inserts

Our WEATHERSHIELD WS001 curtain system is designed to work when you need it most. When winds and rain threaten, you want to be prepared and WEATHERSHIELD is there to do the job. Our system differs from gravity fed weather curtains. Gravity fed systems are not designed for use when winds reach 10 to 15 miles per hour, in fact it is recommended that they be left in the up position under such conditions. Our unique track guide design is fitted with integrated gas springs which keep the fabric under tension at all times, allowing the curtain to travel up or down regardless of the added pressure caused by wind. This curtain has been tested with a windspeed of 74.4 mph and has proven to remain stable and functional. Since WEATHERSHIELD is not a gravity dependent system, we also offer it as a horizontally mounted unit as a shade curtain. A variety of fabrics, colors and patterns are available WEATHERSHIELD is fabricated using waterproof vinyl fabric and can be accessorized with clear window inserts to allow visibility and light into the room.



Mesh fabric solar and UV curtains



**LT50 Altus RTS Range - Star Head Electronic Limit Switch**

MOTOR TYPE	NOMINAL TORQUE		SPEED		ELECTRICAL RATING			LIMIT SWITCH CAPACITY # Rotations	WEIGHT		THEORETICAL LIFTING CAPACITY*	
	in. lb.	Nm	rpm	Volt	Hz	Ampere	Watt		lb.	kg.	lb.	kg.
550R2 Altus RTS	440	50	14	120	60	2.1	240	250	5.61	2.55	440	200

ELECTRICAL MOTOR IS TO BE EQUIPPED WITH A UL APPROVED PLUG

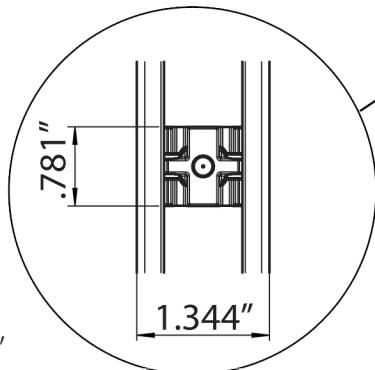
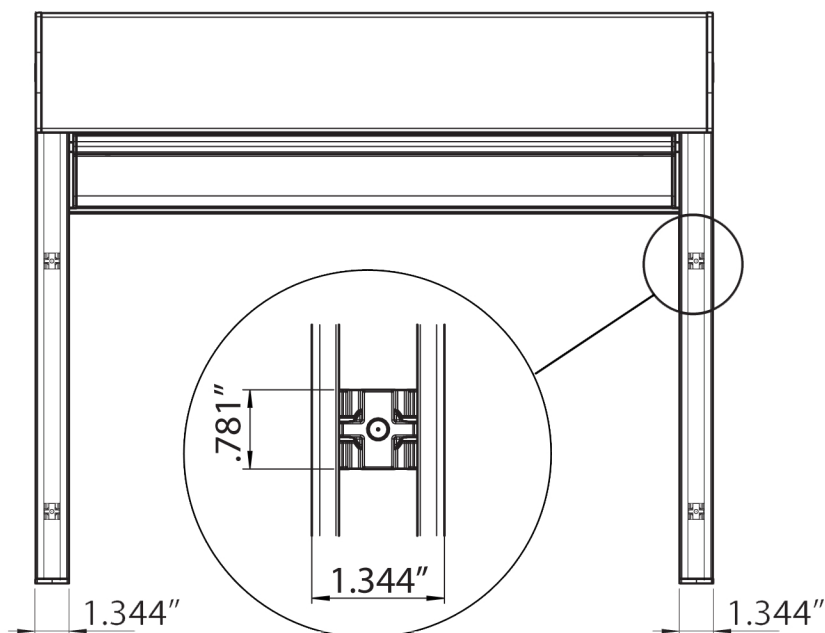
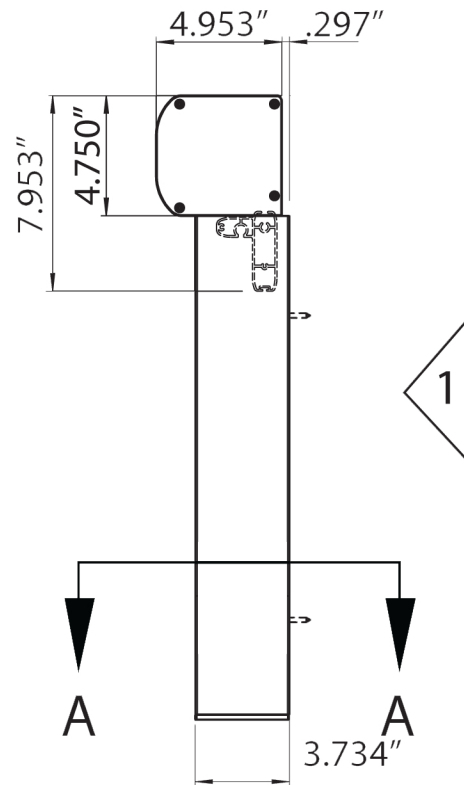
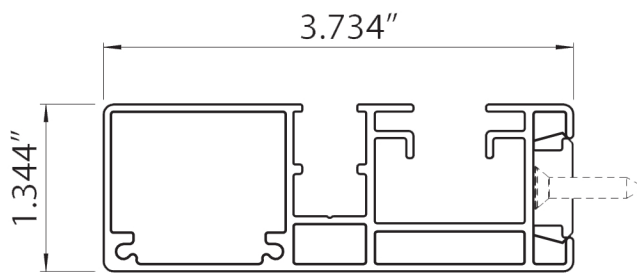
**ELECTRICAL SPECIFICATIONS**

**Exploded View**

**WS001**

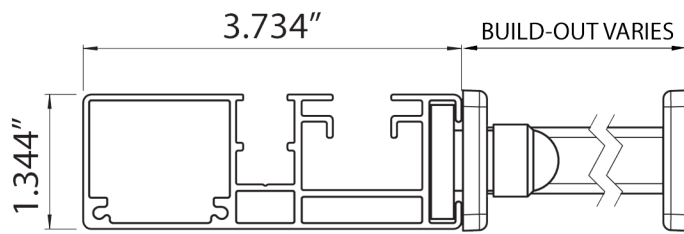
# WS001

## WALL MOUNT FASTENING USING WALL CLIP INSERT

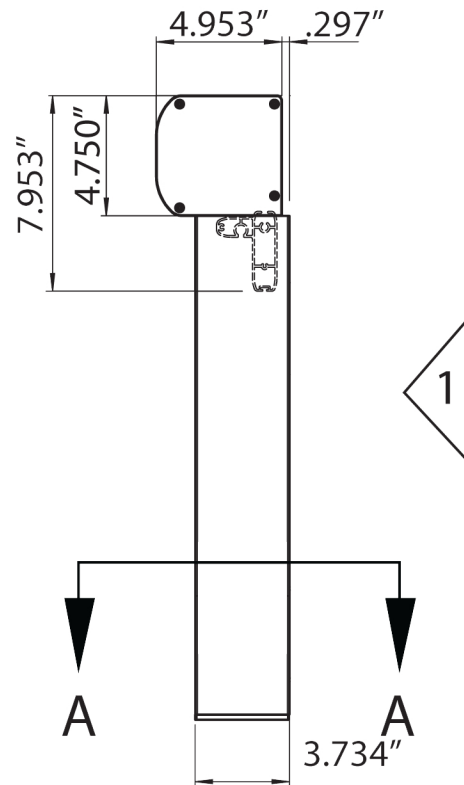


# WS001

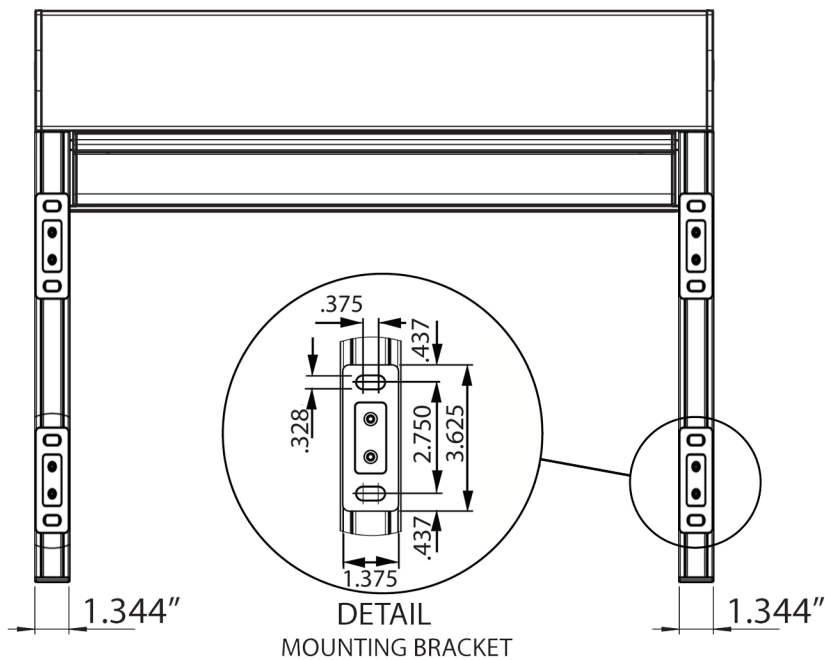
## WALL MOUNT FASTENING USING WALL CLIP INSERT



SECTION A-A



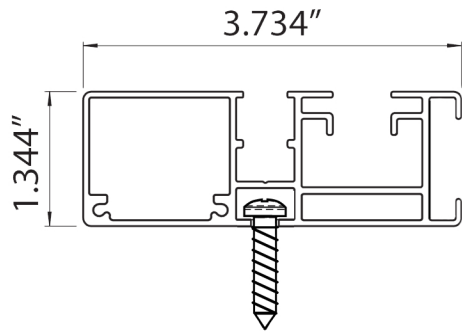
SIDE VIEW



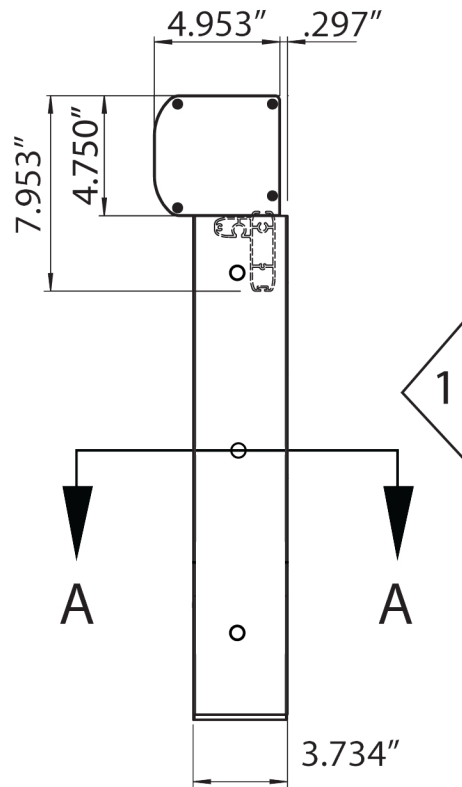
ELEVATION 1

# WS001

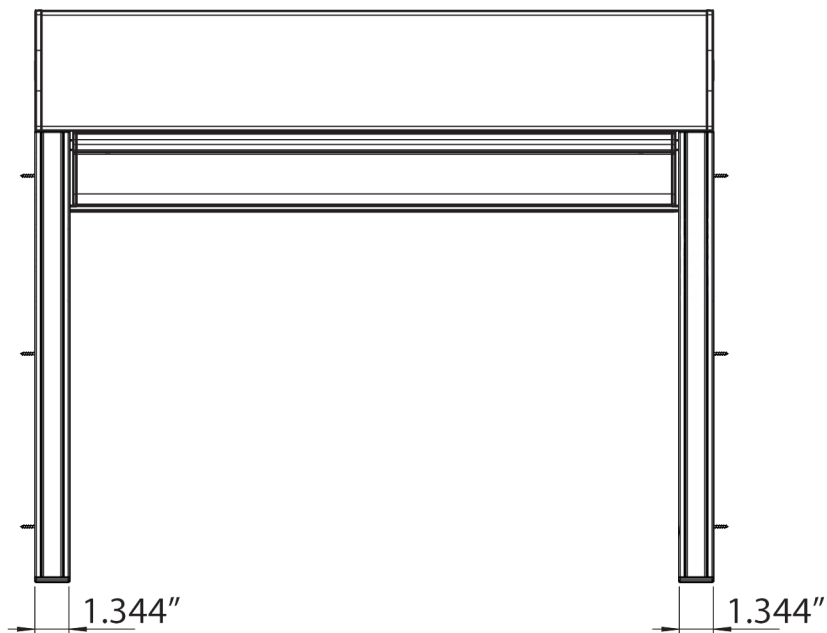
## SIDE MOUNT FASTENING



SECTION A-A



SIDE VIEW



ELEVATION 1